

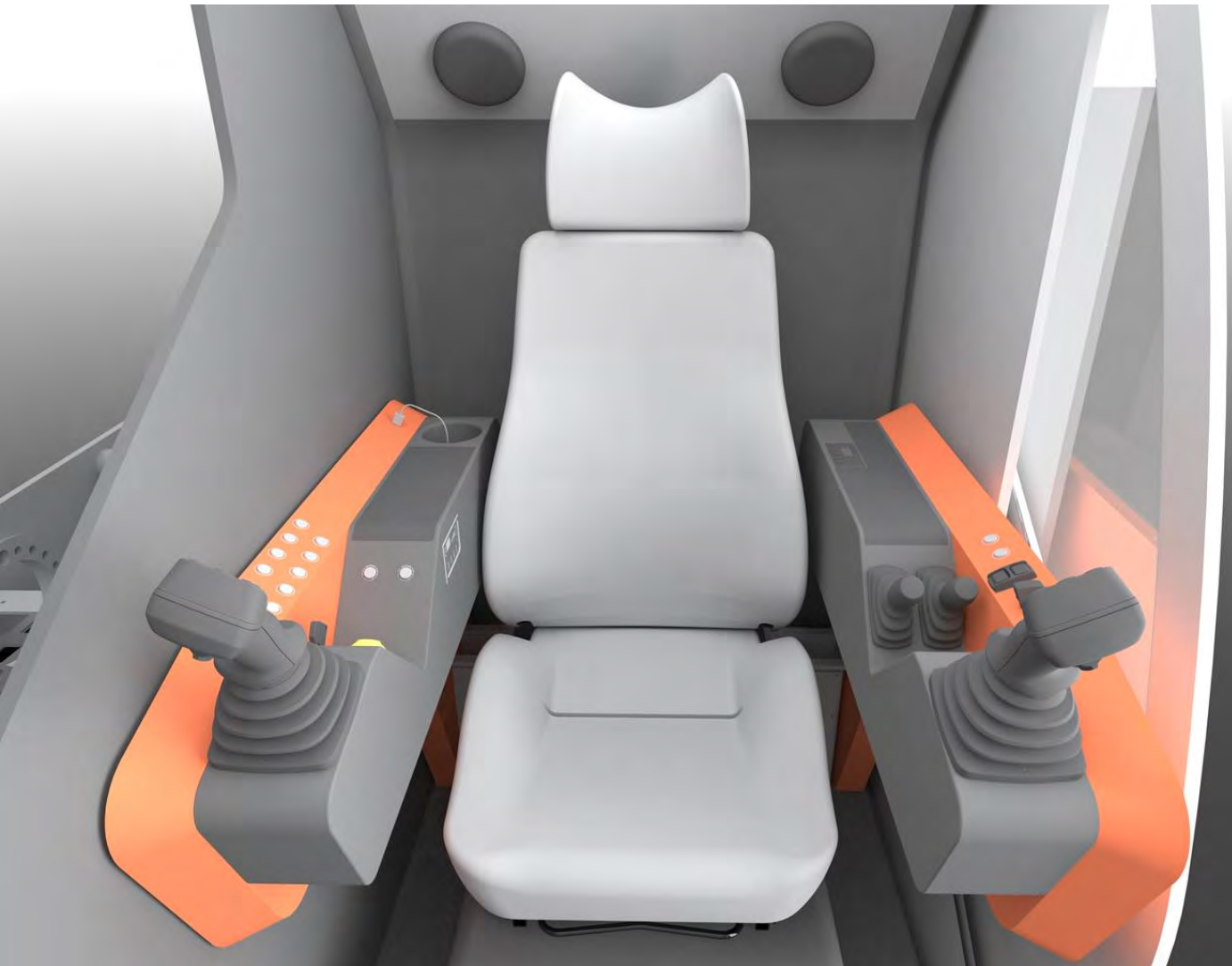


News

September 2014

INTRODUCING MDT 400 MODEL

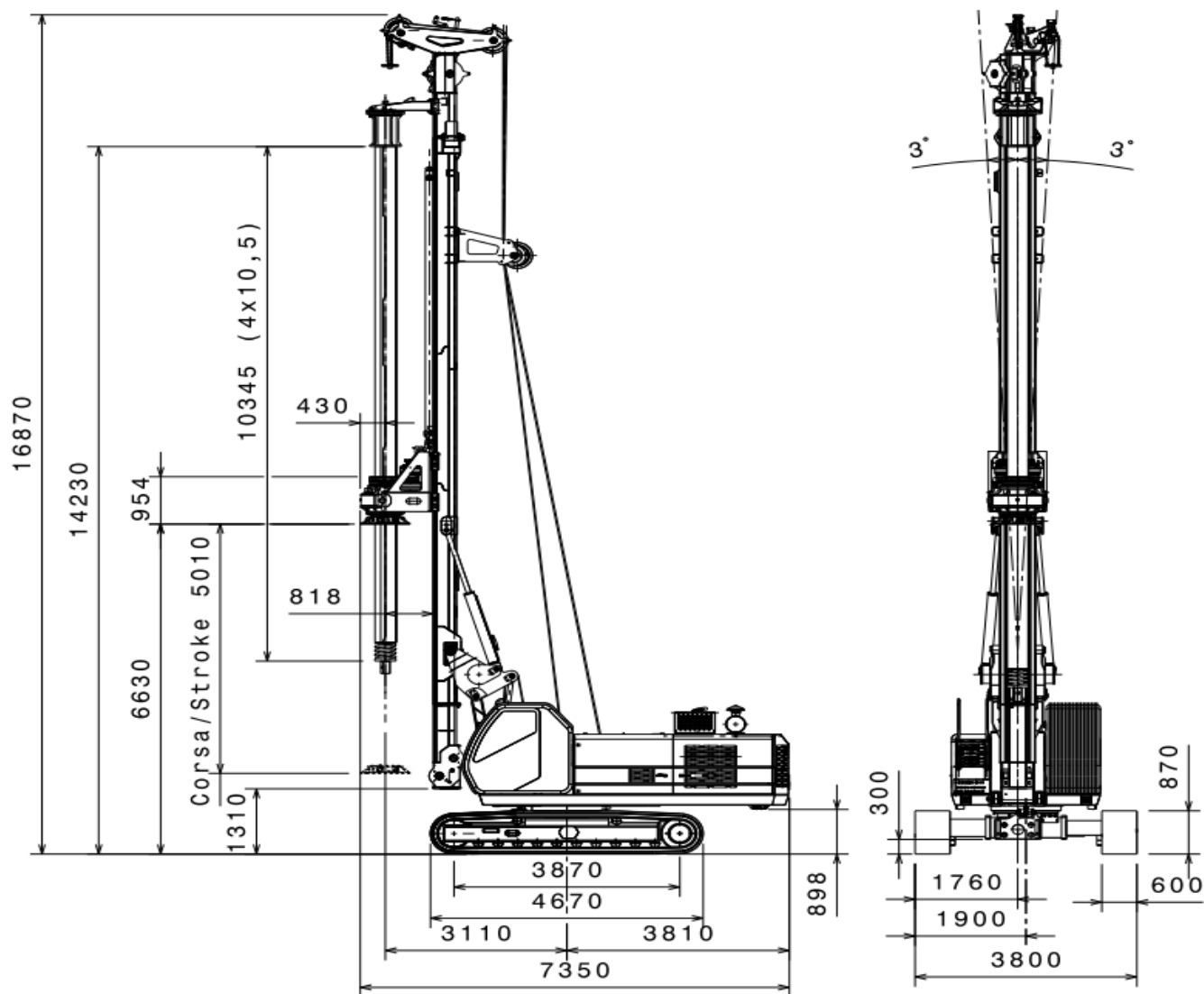
MDT is proud to announce new model MDT 400 piling rig on display at **GEOFLUID** fair (Piacenza - 1-4 October 2014)



- Lit button joysticks
- 15" touch screen display
- Adjustable seat
- Air conditioning
- Diagnostics
- Automatic return to borehole
- Mast verticality control
- Entertainment system
- Main winch controlled free fall

- Depth finder
- Safety swing sensors
- Back camera
- Winch camera
- Pressures display
- Application software
- Depth finder
- Radio communication
- Automatic discharge system

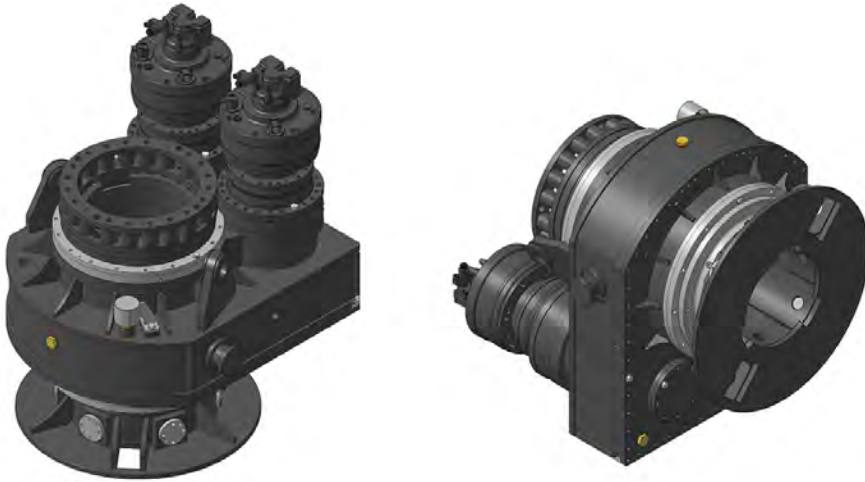
MDT 400 - TSP crowd cylinder version



Rotary torque	kNm	160	Drilling diameter	mm	1500
Rotary speed	rpm	35	Drilling depth	m	50
Discharge speed	rpm	140	Extraction force	kN	150
Rotary stroke	mm	5000	Crowd force	kN	115

News

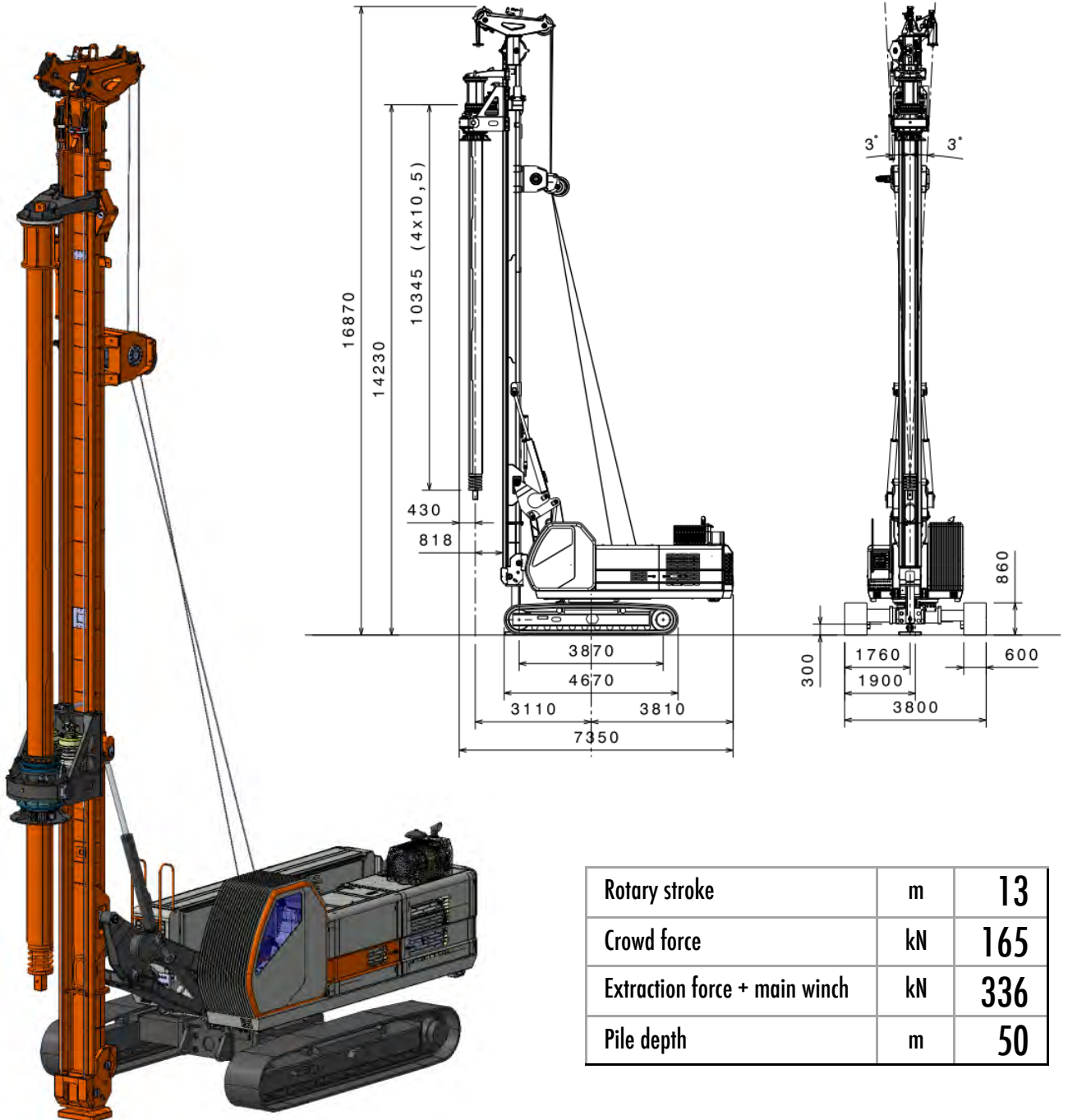
September 2014



Torque	kNm	160
Drilling speed	rpm	35
Discharge speed	rpm	140

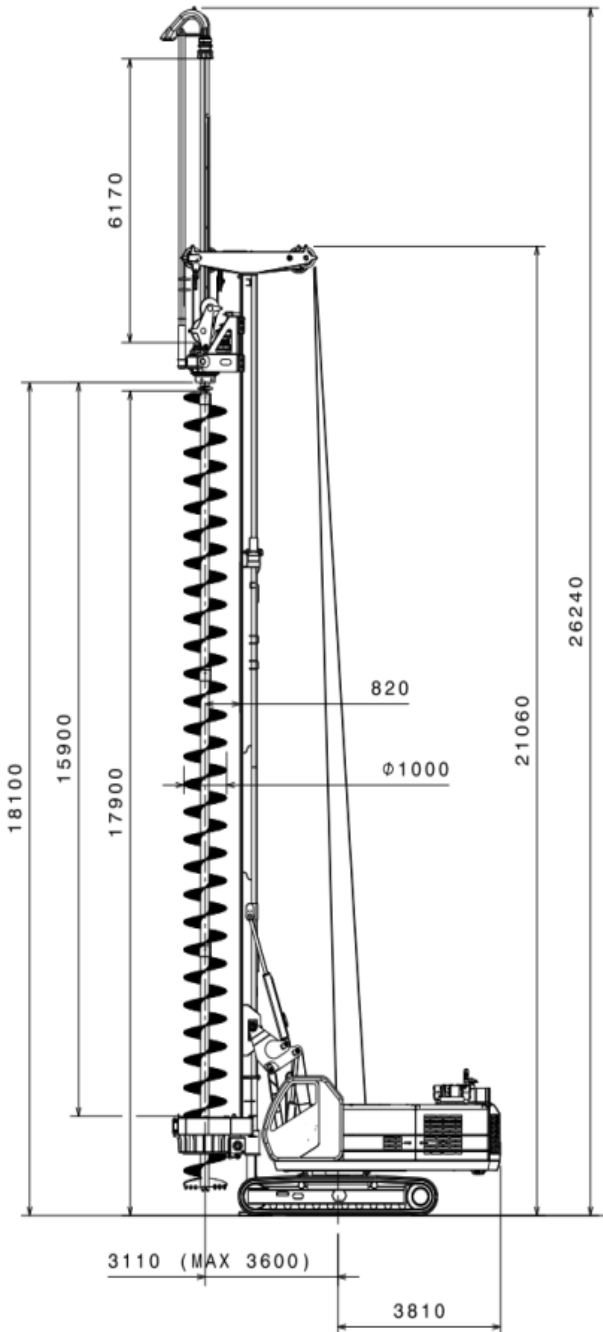


CROWD WINCH SYSTEM

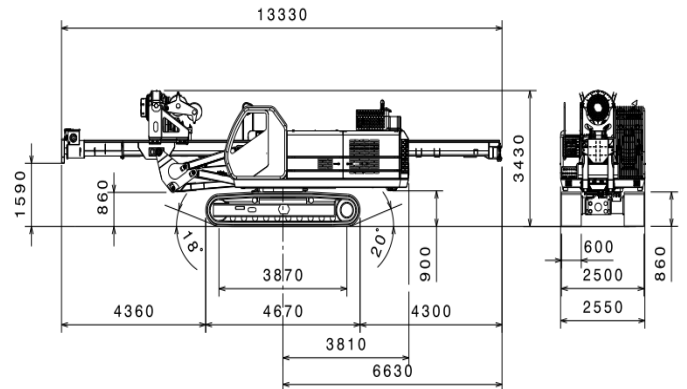


Rotary stroke	m	13
Crowd force	kN	165
Extraction force + main winch	kN	336
Pile depth	m	50

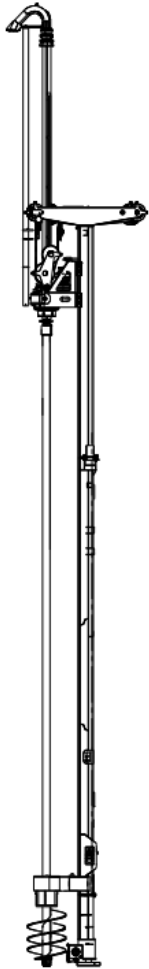
CFA – CONTINUOUS FLIGHT AUGER



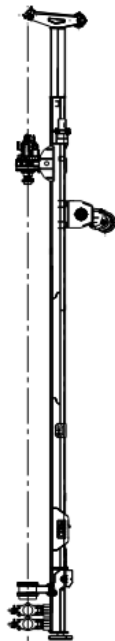
Drilling depth	m	22
Drilling diameter	mm	1000
Extraction force - main winch	kN	400
Crowd winch	kN	50



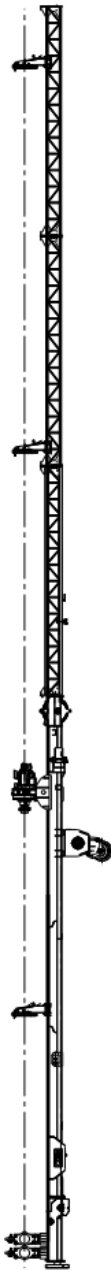
FURTHER APPLICATIONS



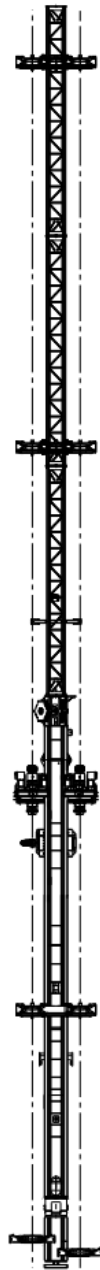
**SOIL
DISPLACEMENT**



MICROPILES



JET GROUTING



SOIL MIXING



**DIAPHRAGM
WALL**

News

September 2014

